

## ACOUSTIC FIRE RATED IP44 (Dimmable) White Slim Downlighter





## Slim Dimmable LED Downlights

1. Frosted panel light design, slimline clean and neat.
2. **TPB Fire Rated, fully compliant** Aluminum Casing,
3. Sound Resistant (blocks Upper Floors Sound). - Absorbs Echo
4. **5 year Warranty**
5. Smooth Triac Dimmable **IP44**, living room and bathroom suitability
6. Flicker Free Isolated PF > 0.9 50/60Hz
7. PMMA-LGP Edge Lit Diffuser



Part Reference	TPB6DK 28	TPB6DK 40	TPB6DK 60	TPB12K 28	TPB12K 40	TPB12K 65	TPB18K 28	TPB18K 40	TPB18K 65
INPUT VOLTAGE (V) 50/60 HZ	220-240V								
Power (W) Wattage	6.5W			12W			18W		
Colour Temperature K /Wavelength	2900K	4000K	6200K	2900K	4000K	6200K	2900K	4000K	6200K
Lumens (LM)	450 lm	490 LM	490 LM	1030 LM	1050 LM	1040 LM	1505 LM	1545 LM	1575L M
View / Beam Angle (°)	120°								
Colour Rendering Index (CRI)	80								
Flicker Free	Yes								
Dimmable	Standard			With CC12Dim			With CC18Dim		
IP Rating	IP44								
Emergency Option	Yes								
Warranty	5 Year								
LEDs Lifespan	50000 hr								
UGR Rating	< 22								
Ceiling Cutouts	105mm			155mm			205mm		
Full Diameter	120mm			175mm			225mm		
No of LEDs per Fitting	30 LEDs			60 LEDs			96 LEDs		
Led Type (size)	SMD 2835								
Earthing Class	II								
CC PSU Output Voltage	15-24VDC			30-40VDC			30-40VDC		
CC PSU Output Current	276ma			300ma			450ma		
Power Factor	PF >0.9								
Operating temperatures	-10 to 40°								
TESTINGS	CE UKCA-LVD:BS EN60598 UKCA-EMC EN55015/IEC61547 Acoustics IEC 60704-1:2010 Building Reg Part 1								
Recycable	Yes								
Photometric data	Yes								
IES FILES	Yes								

Optional Accessories	Dimmable Drivers	
Standard (included)	CC12DIM	CC18DIM
Optional Accessories	3 Hours Maintained Emergency Units	
TPB6EM3	TPB12EM3	TPB18EM3

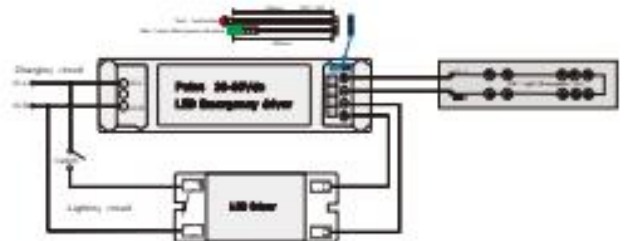
## ACCESSORIES

### Emergency Power Supply Unit

TPB6EM3 3HR Maintained 3W 2000mAh 20-85V DC3V  
Lithium Ion Battery 3Yr

TPB12EM3 3HR Maintained 4W 2000mAh 20-85V DC7.4V  
Lithium Ion Battery 3Yr

TPB18EM3 3HR Maintained 6W 3000mAh 20-85V DC7.4V  
Lithium Ion Battery 3Yr



Emergency driver	L	LED (+)	connect to LED's Positive
Emergency driver	N	LED (-)	connect to LED's Negative
LED driver	L	DC (+)	connect to LED driver's positive
LED driver	N	DC (-)	connect to LED driver's negative

### Dimmable Powerdriver

CC12DIM Dimmable PSU CC 12W 30V-40V 300Ma MAX Isol PF >0.9 (Optional)

CC18DIM Dimmable PSU CC 18W 43V-60V 300Ma MAX Isol PF >0.9 (Optional)

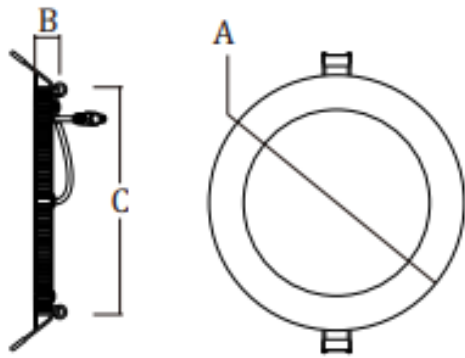


- Build-in Sound Shielding(from upper levels)
- Echo Absorbing Materials for quieter environment
- TP(b) Fire rated
- Smooth Mains TRIAC Dimming
- Long lasting components,suitable for commercial applications
- 6.5W Dimmable
- 12W/18W optional Dimming
- Edgelit PMMA-LGP Diffuser for Even Light Distribution
- Flicker free Isolated PF>0.9 50/60Hz
- 5Year warranty 50,000hours rated life time

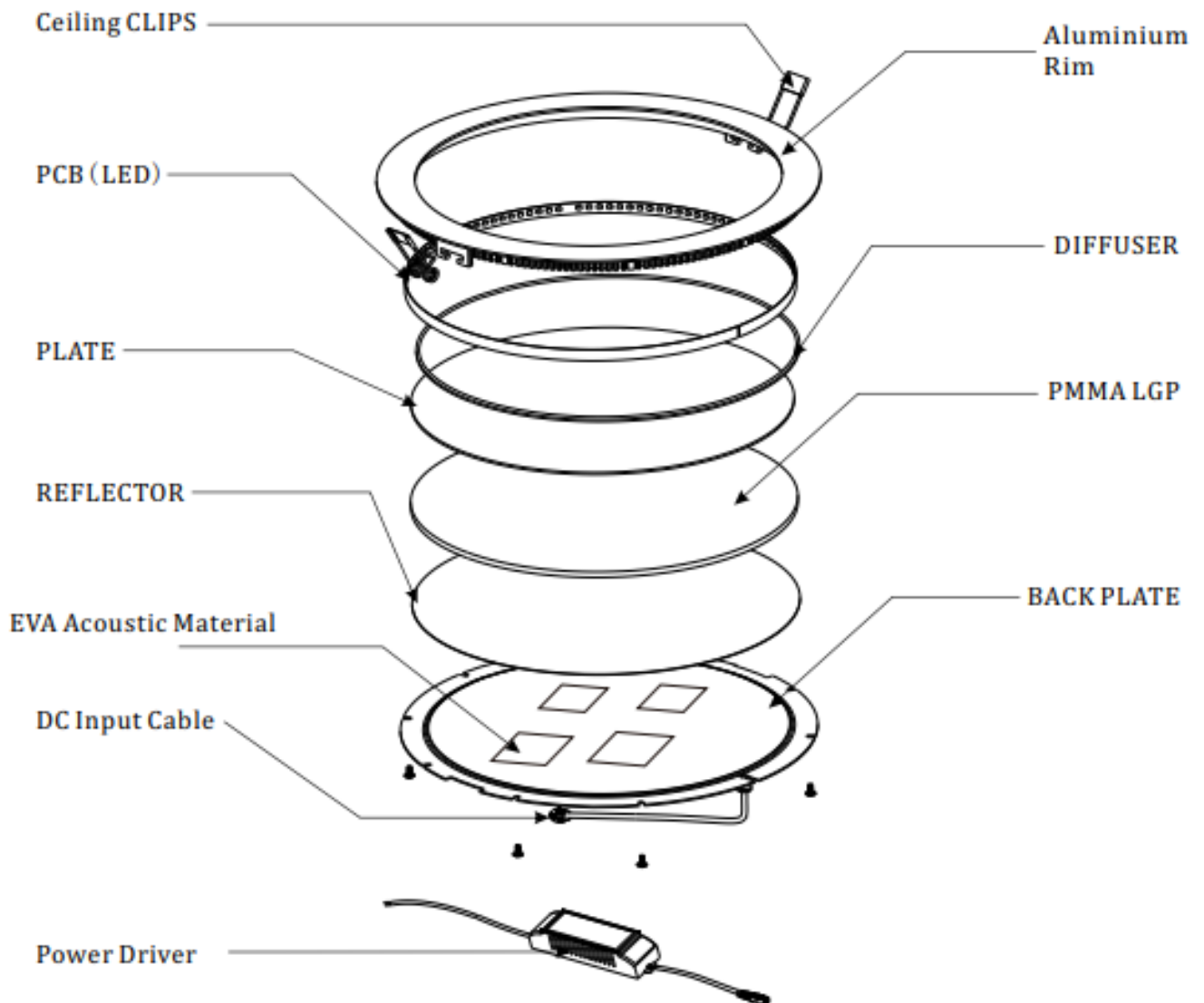
- Aluminium Casing
- 6200K/4000K/2900K
- Ceiling Cut-outs 6W 105mm/12W 155mm /18W 210mm
- ECA Compliant
- Class2(200-240Vac L&N only)
- Mercury free, Fully Recyclable
- 3hr Maintained Emergency Options
- CE EMC UKCA RoHS/TP(b)/Acoustic

TPB6DK60	Tpb Pmm <b>dimmbale</b> IP44 6.5W 490lm Acous N/FIkr PF0.9 Cut+105 6200K 5YR
TPB6DK40	Tpb Pmm <b>dimmbale</b> IP44 6.5W 490lm Acous N/FIkr PF0.9 Cut105 4000K 5YR
TPB6DK28	Tpb Pmm <b>dimmbale</b> IP44 6.5W 450lm Acous N/FIkr PF0.9 Cut105 2900K 5YR
TPB12K65	TPB PMM IP44 12W 1040lm Acous N/FIkr PF0.9 cut155mm 6200K 5YR
TPB12K40	TPB PMM IP44 12W 1050lm Acous N/FIkr PF0.9 cut155mm 4000K 5YR
TPB12K28	TPB PMM IP44 12W 1030lm Acous N/FIkr PF0.9 cut155mm 2900K 5YR
TPB18K65	TPB PMM IP44 18W 1575lm Acous N/FIkr PF0.9 cut210mm 6200K 5YR
TPB18K40	TPB PMM IP44 18W 1545lm Acous N/FIkr PF0.9 cut210mm 4000K 5YR
TPB18K28	TPB PMM IP44 18W 1505lm Acous N/FIkr PF0.9 cut210mm 2900K 5YR

## DIMENSION & STRUCTURE DIAGRAM



	Reference	TPB6DK28 TPB6DK40 TPB6DK60	TPB12K28 TPB12K40 TPB12K65	TPB18K28 TPB18K40 TPB18K65
Diameter(mm)	A	120	170	225
Height(inclu de ear)	B	25	25	25
CutSize	C	105	155	210



## INSTALLATION

We strongly recommend for these downlighters to be fitted by a Professional Electrician. The following instructions should be read carefully before commencing installation. Failure to implement procedure below will invalidate the warranty.

### **Warning:**

Although these Units largely reduce Sound and Echos in Rooms Environment, they are Enhancements rather than Replacement of Ceilings Sound insulation Barriers.

### **General Notes**

Ensure 220/240V supply Voltage.

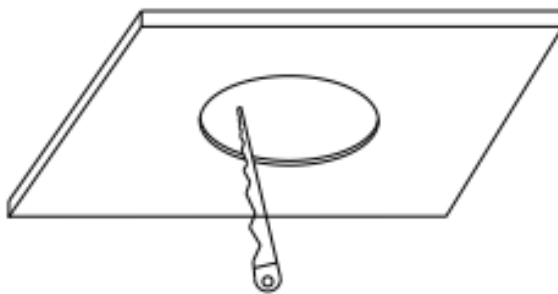
Switch off mains supply .

Downlighters are IP44 suitable for indoor use only.

Class II downlighters. Ensure correct wiring connections to mains input Live and Neutral on PSUs.

Switch on Electrical Supply after all electrical connections are finalised.

Follow below installation steps



1. Cut recommended ceiling Cut-Out Size



2a Connect PSU Mains AC Cable  
2b PSU /Downlighters DC cables



3a Fit downlighters by Pressing in Side Clips



Activate  
Go to Sett

## PACKAGINGS INFORMATION

Part Number	Barcode
TPB6DK28	5 060271 812776
TPB6DK40	5 060271 812769
TPB6DK60	5 060271 812752
TPB12K28	5 060271 812706
TPB12K40	5 060271 812790
TPB12K65	5 060271 812783
TPB18K28	5 060271 812737
TPB18K40	5 060271 812720
TPB18K65	5 060271 812713



Part Number	Qty / Carton	Individual Boxes		Outer Carton	
		Weight kg (Gross)	Dimensions (cm) L X W X H	Weight kg (Gross)	Dimensions (cm) L X W X H
TPB6DK28 TPB6DK40 TPB6DK60	40 UNITS	0.18	14.0X3.2X16.9 CM	8.5	35.0X30.0X35.8 CM
TPB12K28 TPB12K40 TPB12K65	40 UNITS	0.34	19.0X3.2X22 CM	14	35.0X40.0X46.0 CM
TPB18K28 TPB18K40 TPB18K65	30 UNITS	0.42	19.0X3.5X27.3 CM	17.5	50.6x55.0x30.0 CM

**Deltech UK Ltd** Unit 5 Mill Hill Industrial Estate, Flower Lane, London NW7 2HU

**Phone:** 020 8906 2099 **Fax:** 020 8906 8383 **Web:** [www.deltechuk.com](http://www.deltechuk.com)

**Sales Enquiries:** [sales@deltechuk.com](mailto:sales@deltechuk.com) **Technical Support:** [support@deltechuk.com](mailto:support@deltechuk.com)

**Deltech UK Ltd:** Unit 5 Mill Hill Industrial Estate, Flower Lane, Mill Hill, London NW7 2HU  
Tel: 020 8906 2099 [www.Deltechuk.com](http://www.Deltechuk.com) Email: [sales@deltechuk.com](mailto:sales@deltechuk.com)